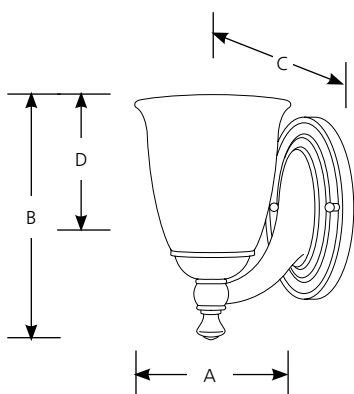
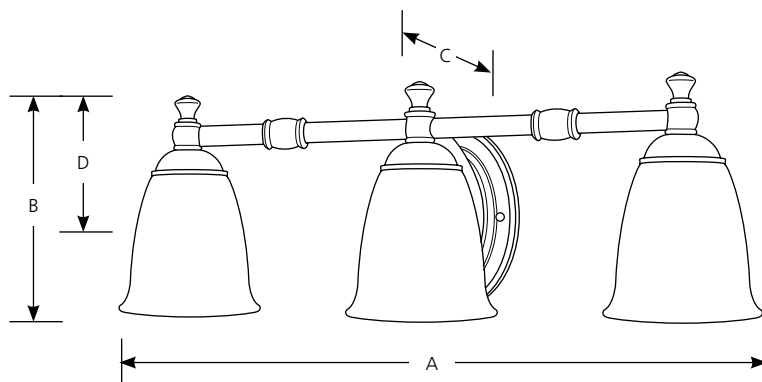


	Type				
	-03	-06	-09	-15	-74
P3027	<input type="checkbox"/>	<input type="checkbox"/>	<input type="checkbox"/>	<input type="checkbox"/>	<input type="checkbox"/>
P3028	<input type="checkbox"/>	<input type="checkbox"/>	<input type="checkbox"/>	<input type="checkbox"/>	<input type="checkbox"/>
P3029	<input type="checkbox"/>	<input type="checkbox"/>	<input type="checkbox"/>	<input type="checkbox"/>	<input type="checkbox"/>

Catalog No.	Finish					Lamping	Dimensions (Inches)			
	Aged Pewter	Pearl Nickel	Brushed Nickel	Polished Chrome	Venetian Bronze		A	B	C	D
P3027	-03	-06	-09	-15	-74	1 (m) 100w	5-5/8	8-1/2	7-1/4	4-3/4
P3028	-03	-06	-09	-15	-74	2 (m) 100w	16-5/8	8-1/2	7-1/4	4-3/4
P3029	-03	-06	-09	-15	-74	3 (m) 100w	24-1/2	8-1/2	7-1/4	4-3/4



P3027



P3029

Specifications:

General

- Plated finish Aged Pewter, Pearl Nickel, Brushed Nickel and Polished Chrome
- Plated finish with hand relieved highlights Venetian Bronze
- White opal glass shades
- Traditional style to match Victorian bath and vanity hardware
- Turned details on support bar for P3028 and P3029
- Heavy solid brass cast wall plate
- No exposed fasteners to hold glass shades in place
- Glass can be mounted in up or down position
- Designed to match Delta Faucet Victorian family of bath hardware

Mounting

- Wall mount
- Covers outlet box
- Mounting strap for outlet box included
- Canopy is 4-1/2"W., 7-1/16"ht.

Electrical

- Threaded ceramic medium base sockets with polished chrome locking cup
- Nickel plated screw shells
- Pre-wired

Labeling

- UL-CUL damp location listed